

SafeLogic Basic D-Drive

SecuRam. Reliable. Innovative. Trusted.



SafeLogic Basic D-Drive EntryPad



Rotate EntryPad to retract bolt



DL-1701
D-Drive Lock Body

SafeLogic Basic D-Drive

The SafeLogic Basic D-Drive is a very reliable direct drive safe lock system ideal for commercial applications, where mechanical retraction of the bolt is preferred.

The SafeLogic Basic D-Drive features SecuRam's rugged stainless steel construction, our unique no-twist cable and spindle design

Simple to Use. Reliable.

- Enter your 6 digit code and rotate the EntryPad to open the lock.
- Easy keypad programming allows for code changes, additions, and deletions. Enable and Disable function also.
- Every SecuRam lock undergoes a 2,000 cycle quality management program before it leaves the manufacturing facility. Unprecedented commitment to quality and reliability.

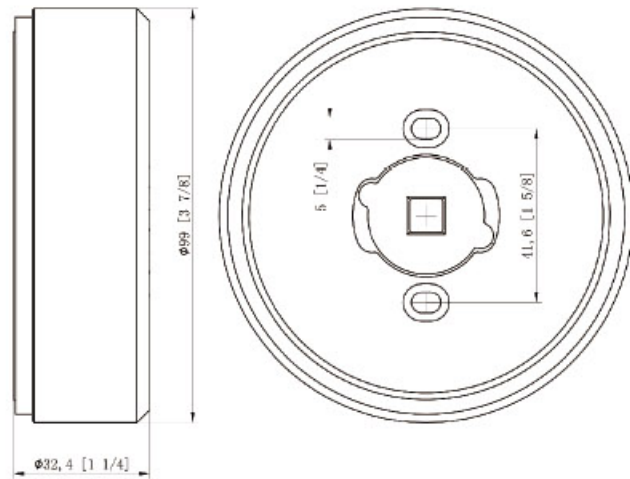
Features:

- 2 codes: 1 manager code, and 1 user code
- 6 digit code
- Enter a valid code, then turn the EntryPad to retract the DeadBolt
- Unique no-twist cable design
- DeadBolt is drilled and tapped to allow bolt extensions or attachments
- 10,000+ openings on a 9 Volt battery
- Easy battery change
- Enable and Disable User codes
- Standard footprint and mounting pattern, easy retrofit for any mechanical or electronic safe lock
- Drilled and tapped bolt allows for bolt extensions and attachments Available
- finishes: Chrome, Brass and Black Chrome

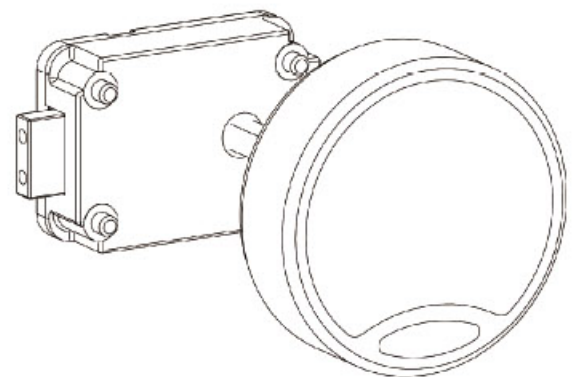
Part#:

EntryPad EM-1701A

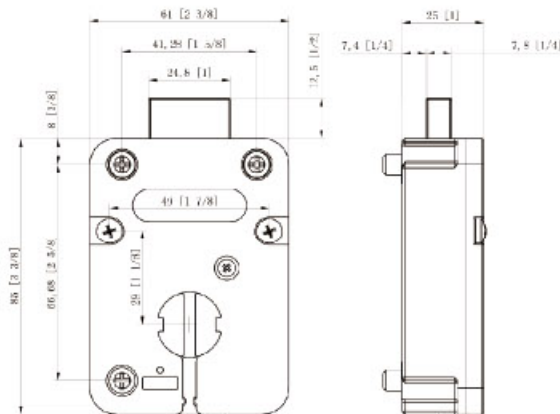
Lock Body DL-1701



SafeLogic Basic D-Drive EntryPad



D-Drive Lock Body



Specifications:

Power Supply	(1) 9V Alkaline Battery (Duracell)	Active Current	<20mA
Power Supply Range	DC 4.5V ~ 12V	Battery Low Voltage	5.2+/- 0.2V
Code Length	6 Digits	Temperature Range	32deg F to 120deg F
Standby Current	Specification<15uA	Operating Humidity	90% Maximum