

SafeLogic X TREME

SecuRam. Security You Can Trust. Ram Tough.



EC-1501A-X Entrypad-Chrome
BackLit - Visible in the dark



Push button access for every day use



SpinDial™ access for Xtreme situations



Optional

SafeLogic Xtreme Safe Lock

The SafeLogic Xtreme is a highly advanced electromechanical safe lock system that offers EMP protection.

Access assured. SafeLogic Xtreme features push button code access for every day use PLUS SpinDial™ access when situations demand it. Optional Bluetooth connectivity allows access using a Smartphone.

Simple to Use. Reliable.

- Push Button access: Enter your 6 digit code and turn the safe handle.
- SpinDial™ Access: Dial your 3 wheel combination, and turn the safe handle. That's it.
- Easy keypad programming allows for code changes, additions, and deletions. Enable and Disable function also.
- EntryPad is BackLit for easy code entry lighting -even in the dark.
- SpinDial™ lighting is activated upon combination entry
- Every SecuRam lock undergoes a 2,000 cycle quality management program before it leaves the manufacturing facility. Unprecedented commitment to quality and reliability.
- SafeLogic Xtreme features Instant AutoLock feature which assures your safe is locked and secure, the moment you close the door.

Features:

- 2 Codes: Manager Code and User Code PLUS SpinDial™ Combination
- EntryPad is BackLit. Press any button and the Backlighting activates.
- SpinDial™ light activates as dial is rotated.
- Instant AutoLock feature
- Bluetooth Connectivity is optional (Part# EC-1501B-X)
- 10,000+ openings on a 9 Volt battery
- 4 minute Penalty LockOut upon entry of 4 incorrect codes
- Rugged Stainless Steel Entrypad Housing
- Standard footprint and mounting pattern, easy retrofit for any mechanical or electronic safe lock
- Finishes available:
 - Chrome
 - Brass
 - Black Chrome
 - Nickel

Entrypad Part#: EC-1501A-X

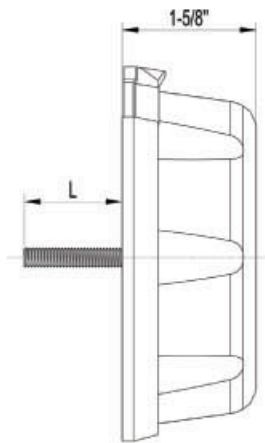
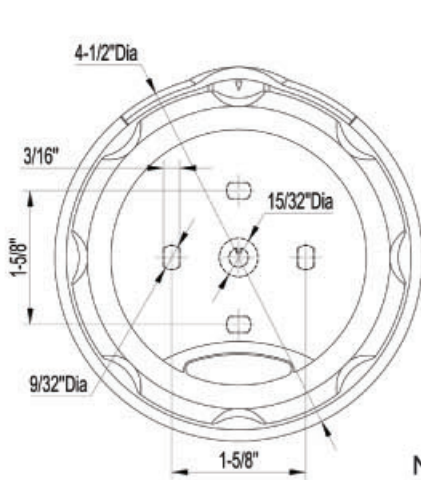
Entrypad Part#: EC-1501B-X (Bluetooth)

Lock Body Part#: XL-1501



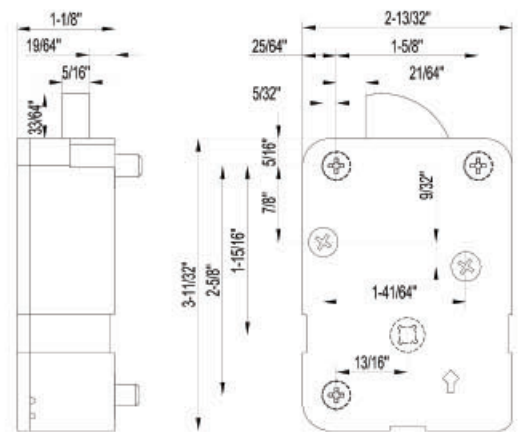
SecuRam®

SecuRam. Security You Can Trust. Ram Tough.

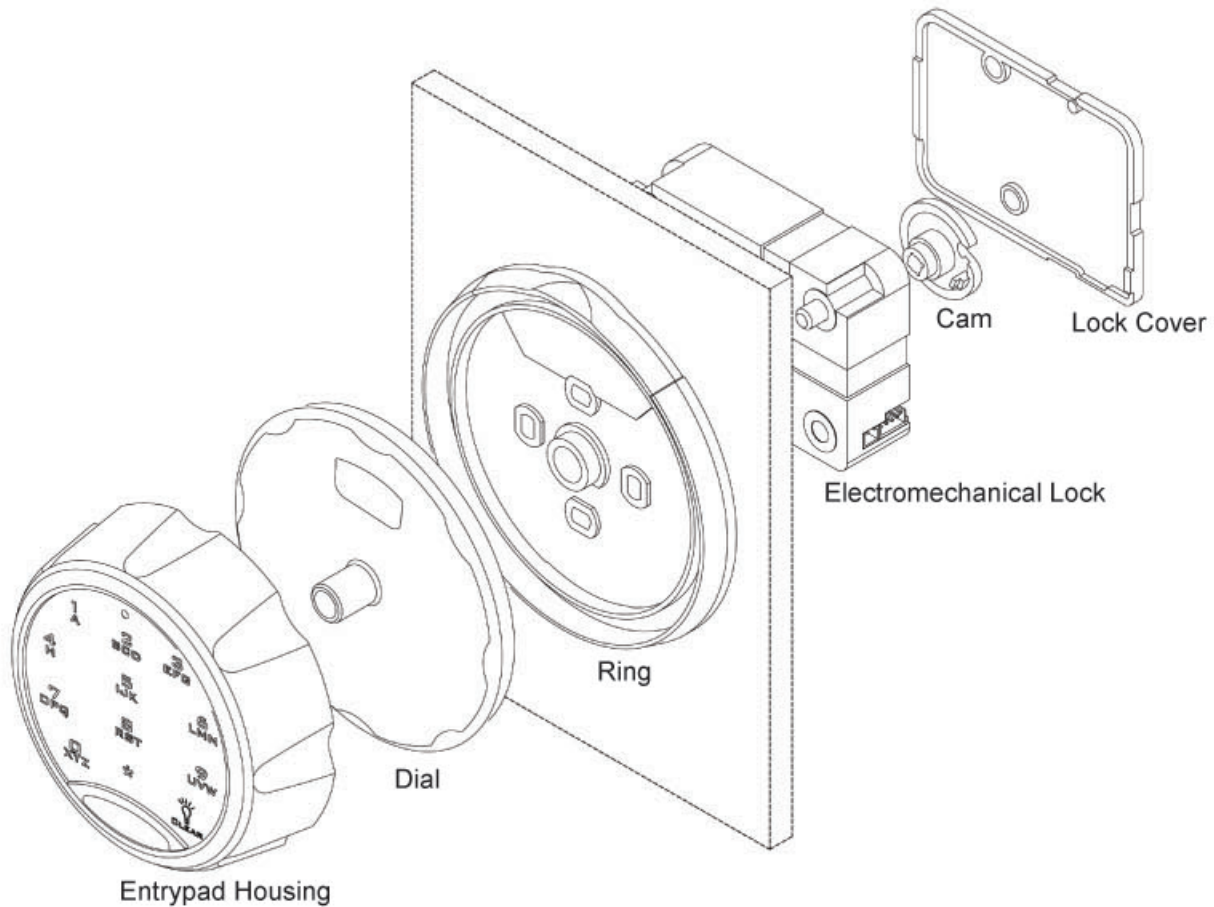


Note: L = Door Thickness + 7/8"

SafeLogic Xtreme – Part # EC-1501A-X



Electromechanical Part # XL-1501



Specifications:

Code Length	6 digits; 3 number SpinDial combination	Battery Life Span	About one year
Standby Current	< 50µA	Battery Low Voltage	5.4±0.2V
Power Supply	(1) 9V Alkaline battery (Duracell)	Operating Humidity	90% Maximum