

ProLogic OTC

SecuRam. Reliable. Innovative. Trusted.



EC-0601A-B266-II EntryPad



SwingBolt



DeadBolt



StrikeBolt



SpringBolt

Smartphone-enabled



SecuRam OTC App



ProLogic OTC – “One Time Code” Safe Lock

The ProLogic OTC has been designed specifically for ATM Security Management. This centrally managed safe lock system, uses next generation connectivity to provide real-time “One Time Codes”, Close Seals, automated dispatch, and secure portfolio management.

Simple to Use. Reliable. Secure.

- ProLogic OTC software system makes managing ATM portfolios easy.
- Simply register your safe locks, assign access rights to personnel and establish your operational schedule.
- The ProLogic OTC is a connected ATM safe management system that does not reside on the Financial Institution's or ATM network.
- The ProLogic OTC system has been designed with flexibility in mind, select the connectivity and authentication mode that is right for your business using either our Smartphone APP or PDA/Scanner APP.
- One Time Codes are delivered in real-time from automated Dispatch Software directly to your APP. Then the code is sent by Bluetooth directly to the safe lock.
- Close Seals are automatically transmitted to central dispatch upon task completion ensuring maximum security. You will know in real-time that your ATMs are secure.
- Shared Access is achieved seamlessly and effortlessly with a simple mouse click, without the need to “shelve” locks. (You will never “shelve” another lock again.)
- ProLogic OTC software allows you to maintain complete control over your ATM portfolio including shared access partners. Eliminate or add a shared access partner instantly and easily.
- Real-time audit trail is transmitted to the central dispatch after each opening
- No cellular signal ...no problem. The ProLogic OTC software has built-in redundancy with both real-time and pre-issued codes settings.
- No more iButtons, tokens or Dallas keys, the ProLogic OTC uses Bluetooth electronic authentication
- Real-time communication means your ATM assets are secure and your operation is on-track

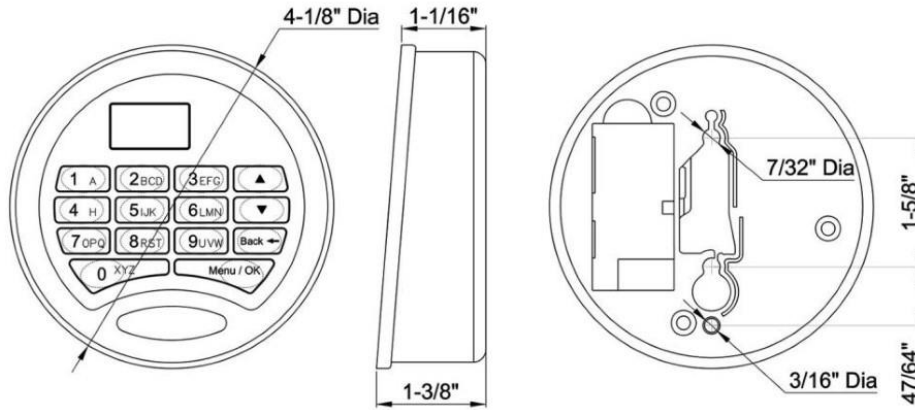
Part#: EC-0601A-B266-II-CH

ProLogic OTC:

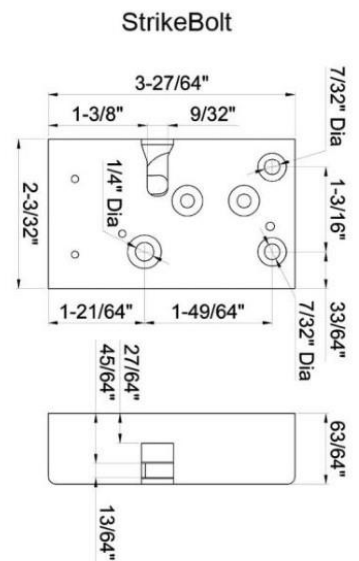
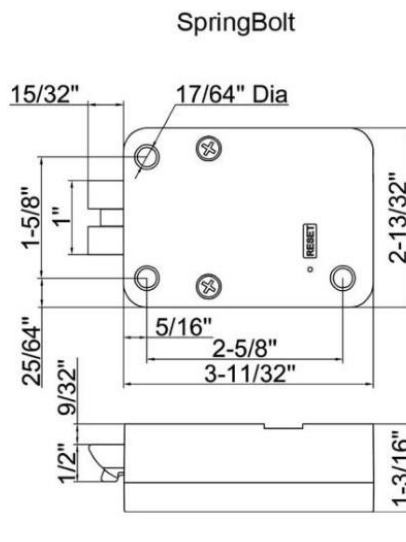
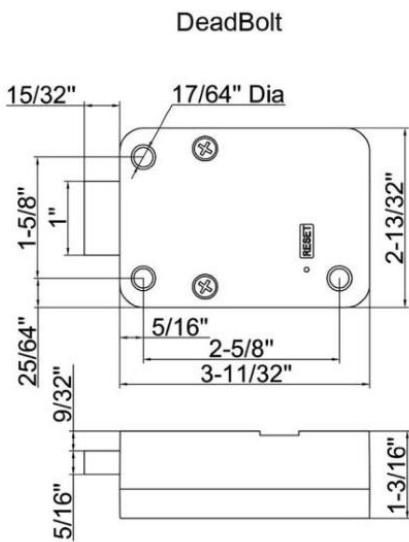
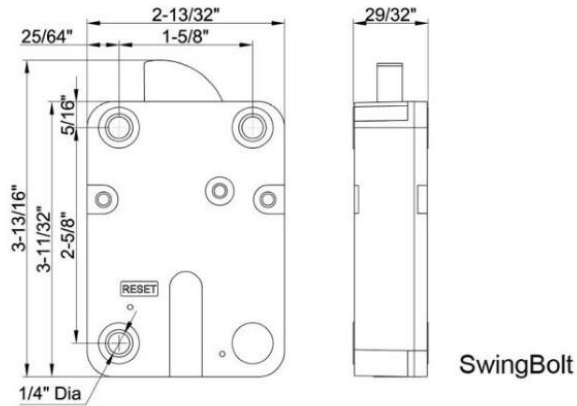
The Next Generation ATM Safe Lock System.

SecuRam®

SecuRam. Reliable. Innovative. Trusted.



ProLogic OTC EC-0601A-B266



Specifications:

Code Length	6 digits	Battery Life Span	About one year
Standby Current	< 50µA	Battery Low Voltage	5.4±0.2V
Power Supply	(1) 9V Alkaline battery (Duracell)	Operating Humidity	90% Maximum